



Refrigeration air dryer Xeroaqua Air cooling

GX3200D Series

Standard inlet air

Compatible air compressors: for 2.2, 3.7, 5.5, 7.5, 11, 15, 22, 37, 55 kW

JIS symbol



Specifications

1 MPa ≈ 145.0 psi, 1 MPa = 10 bar

Model No.	GX3203D	GX3206D	GX3208D	GX3211D	GX3215D	GX3222D	GX3237D	GX3255D	
Applicable air compressor kW	to 2.2	3.7, 5.5	7.5	11	15	22	37	55	
Working range	Working fluid Compressed air								
	Inlet air temperature °C 5 (41°F) to 50 (122°F)								
	Inlet air pressure MPa 0.15 to 1.0 0.1 (≈15 psi, 1 bar) to 1.0 (≈150 psi, 10 bar)								
Rating	Ambient temperature °C 2 (35.6°F) to 45 (113°F) (*2) 2 (35.6°F) to 45 (113°F)								
	Processing air rate m ³ /min (ANR) 50/60 Hz (*3) 0.30/0.35 0.64/0.72 0.94/1.13 1.65/1.82 2.40/2.80 3.70/4.20 5.70/6.10 8.40/9.80								
	Processing air rate (compress suction state) m ³ /min 50/60 Hz (*4) 0.31/0.37 0.67/0.76 0.99/1.19 1.73/1.91 2.52/2.94 3.88/4.41 5.98/6.40 8.81/10.3								
	Inlet air temperature °C 35 (95°F) 40 (104°F)								
	Inlet air pressure MPa 0.7 (≈100 psi, 7 bar)								
	Ambient temperature °C 32 (89.6°F)								
Perfm.	Outlet air pressure dew point °C (*5) 10 (50°F)								
	Pressure drop MPa 50/60Hz (*6) 0.002/0.003 0.009/0.011 0.009/0.013 0.011/0.013 0.012/0.017 0.024/0.031 0.023/0.026 0.018/0.025								
Power supply		Single-phase 100/100, 110 VAC 50/60 Hz				Three-phase 200/200, 220 VAC 50/60 Hz			
Electrical specifications (*7)	Power consumption (at 100, 110 V) kW 50/60 Hz 0.17/0.19,0.20 0.26/0.27,0.30 0.32/0.34,0.41 0.52/0.52,0.55 - - - -								
	Power consumption (at 200, 220 V) kW 50/60 Hz 0.16, 0.17/0.19, 0.21 0.24, 0.28/0.26, 0.29 0.29, 0.35/0.32, 0.34 0.44, 0.49/0.52, 0.53 0.61/0.71,0.73 0.65/0.79,0.79 1.16/1.41,1.41 1.30/1.63,1.60								
	Current consumption (at 100, 110 V) A 50/60 Hz 1.9/1.9, 1.8 3.2/2.8, 2.8 3.9/3.4, 3.7 6.5/5.2, 5.0 - - - -								
	Current consumption (at 200, 220 V) A 50/60 Hz 0.8, 0.8/1.0, 1.0 1.4, 1.6/1.3, 1.3 1.7, 2.1/1.6, 1.6 2.6, 2.9/2.6, 2.4 2.6/2.5, 2.5 3.0/2.8, 2.9 4.5/4.6, 4.4 5.3/5.7, 5.4								
	Starting current (at 100 V) A 50/60 Hz 7.1/7.9 11.1/12.1 16.4/17.3 26.5/24.8 - - - -								
	Starting current (at 200 V) A 50/60 Hz 3.0/3.3 6.3/6.2 7.7/7.3 13.2/12.4 22.5/25.0 27.5/31.5 31.5/40.6 41.3/43.8								
Refrigerant		R-134a				R-410A			
Air inlet and outlet port size		R 1/2	R 1/2	R 3/4	R 3/4	R1	R1	R1 1/2	R2
Weight kg		18	21	26	33	39	42	68	84
Released heat kW 50/60Hz (*7)		0.29/0.32	0.57/0.65	0.72/0.81	1.2/1.3	1.6/1.8	2.3/2.5	3.0/3.3	4.8/5.6

*1: Outer panel: Quality cool white (Munsell No. 5GY7.5/0.5)

*2: When the power supply voltage is ±5%. 2 to 40°C for power supply voltage ±10%.

*3: ANR shows conditions of 20°C atmospheric pressure and relative humidity 65%.

*4: Value converted into air compressor intake state at 32°C atmospheric pressure and relative humidity 75%.

*5: Contact CKD for information on the dew point performance guarantee.

*6: The pressure drop value is a typical value and is not a guaranteed value.

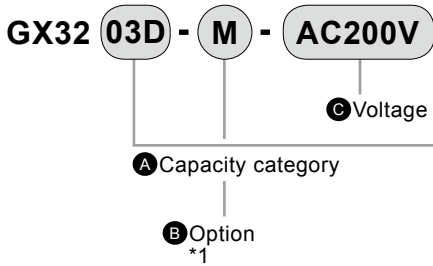
*7: The power consumption, current consumption, and exhaust heat are all reference values under the rated conditions and are not guaranteed values.

- F.R.L.
- F.R.
- F (Filtr)
- R (Reg)
- L (Lub)
- Drain
- Separ
- Mech
- Press SW
- Res press
- exh valve
- SlowStart
- Anti-bac/Bac-
- remove Filtr
- Film
- Resist FR
- Oil-ProhR
- Med
- Press FR
- No Cu/
- PTFE FRL
- Outdrs FRL
- Adapter
- Joiner
- Press
- Gauge
- CompFRL
- LgFRL
- PrecsR
- VacF/R
- Clean FR
- ElecPneur
- AirBoost
- Speed Ctrl
- Silncr
- CheckV/
- other
- Fit/Tube
- Nozzle
- Air Unit
- PrecsCompn
- Electro
- Press SW
- ContactSW
- AirSens
- PresSW
- Cool
- Air Flo
- Sens/Ctrl
- WaterRiSens
- TotAirSys
- (Total Air)
- TotAirSys
- (Gamma)
- Gas
- generator
- RefrDry
- DesicDry
- HiPolymDry
- MainFiltr
- Dischrg
- etc
- Ending

GX3200D Series

How to order Selection guide

How to order



Code	Description
A Capacity category	
03D	to 2.2 kW
06D	3.7, 5.5 kW
08D	7.5 kW
11D	11 kW
15D	15 kW
22D	22 kW
37D	37 kW
55D	55 kW

B Option	
Blank	Standard products
H2	SUS nameplate
H3	Simple export packaging *3
M	Operation/fault signal output *2 (GX3215D, 3222D, 3237D, 3255D only)
M3	Remote control & operation/fault signal output (GX3203D, 3206D, 3208D, 3211D only) *2
N1	Copper tube rust proof coating

C Voltage	
100 VAC (GX3203D, GX3206D, GX3208D, GX3211D only)	
200 VAC	

Precautions for model No. selection

- *1: Indicate options in alphabetical order.
- *2: The equipment of remote control and operation/error signals are as listed in the table below.

Model No.	Terminal for remote control	Operation/error signal
GX3203D,3206D 3208D,3211D	Option M3 (Momentary)	Option M3
GX3215D,3222D 3237D,3255D	Standard equipment (Alternate)	Option M

- *3: Option H3 is packaged in plywood.
- *4: The instruction manual and nameplates are provided in Japanese and English.
- *5: Contact CKD if a photo of the completed product is required.
- *6: Contact CKD to designate the color of the body panel.

Selection guide

When determining the appropriate model from the max. processing air rate of each model No.

Standard processing air rate × (1) Pressure dew point coefficient × (2) Inlet air temperature coefficient × (3) Ambient temperature coefficient × (4) Inlet air pressure coefficient = Max. processing air rate

Note: Select with conditions where the value of the product of each coefficient ((1) × (2) × (3) × (4)) does not exceed the upper limit coefficient of (5).

Conditions	Working conditions	Selecting conditions	Coefficient
Pressure dew point	Below 17°C	15°C	(1) 1.15
Inlet air temperature	20 to 23°C	25°C	(2) 1.25
Ambient temperature	20 to 23°C	25°C	(3) 1.08
Inlet air pressure	0.35 to 0.45 MPa	0.3 MPa	(4) 0.75
Frequency	50 Hz	50 Hz	50 Hz

Substitute the above conditions into the equation above to obtain the processing air rate when using the GX3215.

Product of each coefficient
 (1) × (2) × (3) × (4) = 1.15 × 1.25 × 1.08 × 0.75 = 1.16
 The (5) ceiling coefficient of 0.97 at the inlet air pressure 0.3 MPa (use conditions) is exceeded.

Therefore, the max. processing air rate is the following, using the ceiling coefficient 0.97.
 2.40 (reference processing air rate) × 0.97 = 2.32 m³/min (ANR).
 If the used flow rate is less than or equal to this value, select that model.

1 Pressure dew point coefficient	
Pressure dew point	Coefficient
15°C	1.15
10°C	1.00
7°C	0.72
5°C	0.58

2 Inlet air temperature coefficient			
Inlet air temperature	Coefficient		
	GX3203D GX3206D GX3208D	GX3211D GX3215D GX3222D GX3237D	GX3255D
25°C	1.25	1.25	1.30
30°C	1.13	1.13	1.23
35°C	1.00	1.00	1.12
40°C	0.80	0.80	1.00
45°C	0.65	0.65	0.80
50°C	0.40	0.54	0.65

3 Ambient temperature coefficient	
Ambient temperature	Coefficient
25°C	1.08
30°C	1.02
32°C	1.00
35°C	0.90
40°C	0.72
45°C	0.47

4 Inlet air pressure coefficient	
Inlet air pressure	Coefficient
0.1 MPa *1	0.50
0.2MPa	0.65
0.3 MPa	0.75
0.4 MPa	0.83
0.5 MPa	0.89
0.6 MPa	0.94
0.7 MPa	1.00
0.8 MPa	1.01
0.9 MPa	1.02
1.0 MPa	1.03

5 Upper limit coefficient			
Use conditions (inlet air pressure)	Coefficient		
	GX3203D GX3211D GX3215D GX3222D GX3237D GX3255D	GX3206D	GX3208D
0.1 MPa *1	0.65	0.55	0.57
0.2 MPa	0.84	0.71	0.74
0.3 MPa	0.97	0.82	0.86
0.4 MPa	1.07	0.91	0.95
0.5 MPa	1.15	0.97	1.02
0.6 MPa	1.22	1.03	1.08
0.7 MPa	1.30	1.10	1.15
0.8 MPa	1.31	1.11	1.16
0.9 MPa	1.32	1.12	1.17
1.0 MPa	1.33	1.13	1.18

*1: GX3203D is 0.15 MPa.

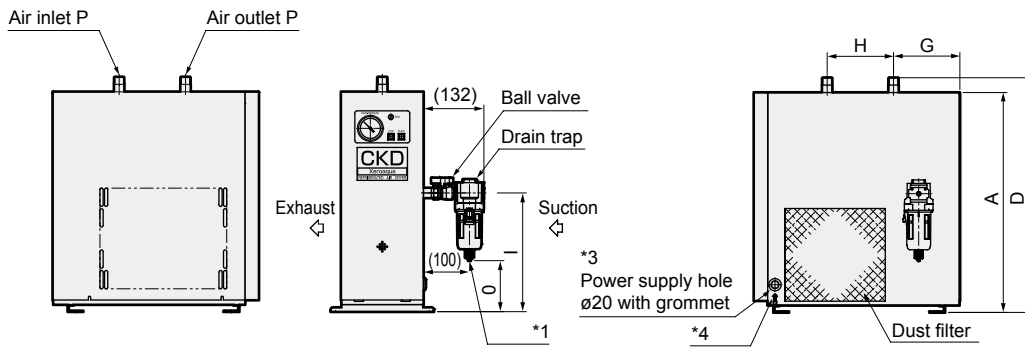
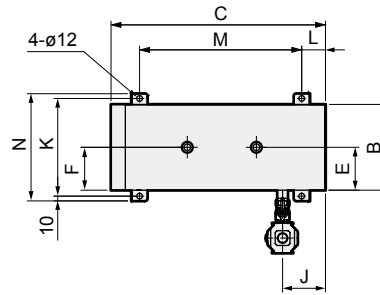
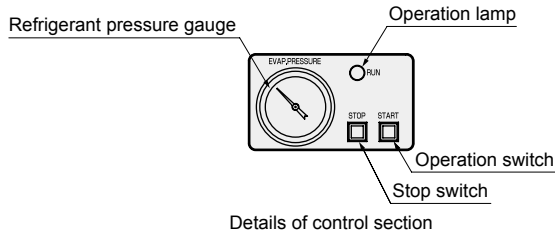
- F.R.L.
- F.R.
- F (Filtr)
- R (Reg)
- L (Lub)
- Drain Separ
- Mech
- Press SW
- Res press
- exh valve
- SlowStart
- Anti-bao/Bac-
- remove Filtr
- Film
- Resist FR
- Oil-ProhR
- Med
- Press FR
- No Cu/
- PTFE FRL
- Outdrs FRL
- Adapter
- Joiner
- Press
- Gauge
- CompFRL
- LgFRL
- PrecsR
- VacF/R
- Clean FR
- ElecPneuR
- AirBoost
- Speed Ctrl
- Silncr
- CheckV/
- other
- Fit/Tube
- Nozzle
- Air Unit
- PrecsCompn
- Electro
- Press SW
- ContactSW
- AirSens
- PresSW
- Cool
- Air Flo
- Sens/Ctrl
- WaterRISens
- TotAirSys
- (Total Air)
- TotAirSys
- (Gamma)
- Gas
- generator
- RefrDry
- DesicDry
- HiPolymDry
- MainFiltr
- Dischrg
- etc
- Ending

GX3200D Series

Dimensions



●GX3203D, GX3206D, GX3208D

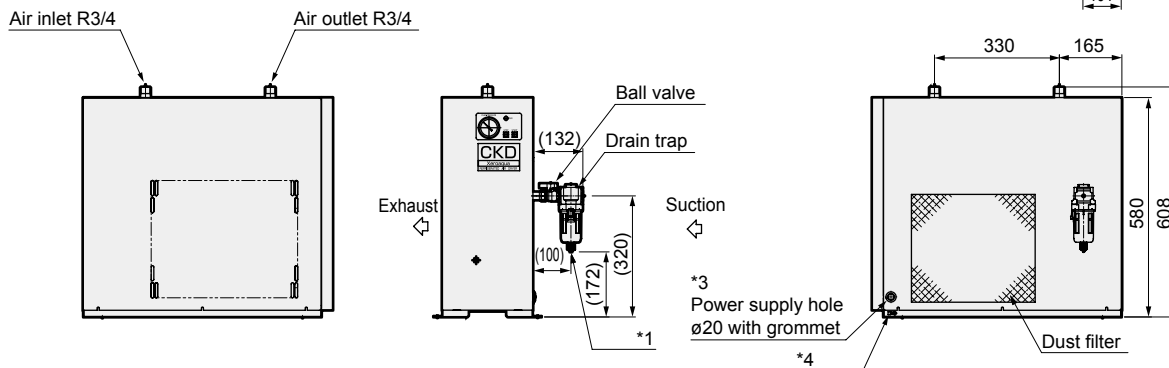
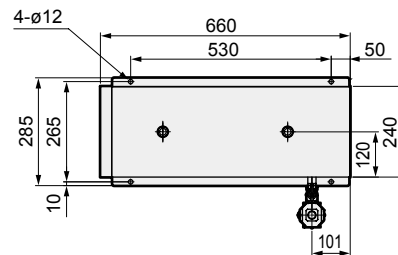
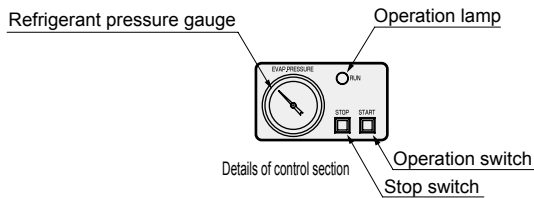


- *1: Directly insert a nylon tube with an inner diameter of $\phi 5.7$ to $\phi 6.0$ into the drain cock.
- *2: The drain trap and ball valve are included products.
- *3: A power supply cable (approx. 1.8 m) equipped with a plug is included with the 100 VAC.
- *4: A grounding terminal (TMEV2-4) is attached to the panel with the 100 VAC.

Model No.	A	B	C	D	E	F	G	H	I	J	K	L	M
GX3203D	480	180	450	513	90	90	145	145	(260)	90	205	50	340
GX3206D	510	180	540	542	113	83	120	300	(274)	96	205	60	420
GX3208D	510	240	600	537	140	140	138	335	(280)	78	265	60	480

Model No.	N	O	P
GX3203D	225	(112)	R 1/2
GX3206D	225	(126)	R 1/2
GX3208D	285	(132)	R 3/4

●GX3211D



- *1: Directly insert a nylon tube with an inner diameter of $\phi 5.7$ to $\phi 6.0$ into the drain cock.
- *2: The drain trap and ball valve are included products.
- *3: A power supply cable (approx. 1.8 m) equipped with a plug is included with the 100 VAC.
- *4: A grounding terminal (TMEV2-4) is attached to the panel with the 100 VAC.

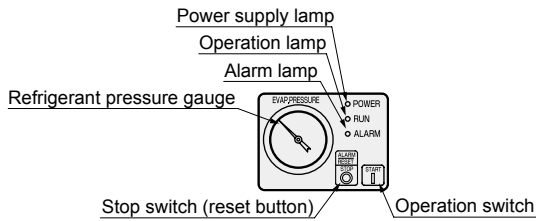
GX3200D Series

Dimensions

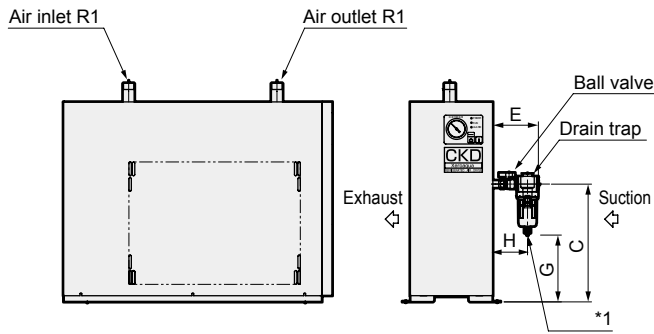
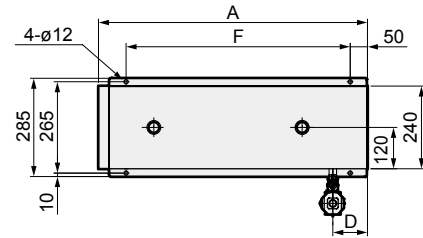
Dimensions



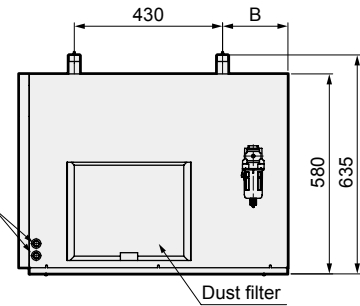
●GX3215D,GX3222D



Details of control section



Power supply hole 2-ø20 With grommet

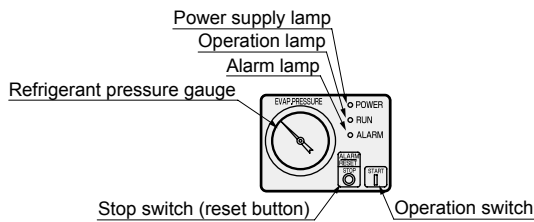


*1: Directly insert a nylon tube with an inner diameter of ø5.7 to ø6.0 into the drain cock.

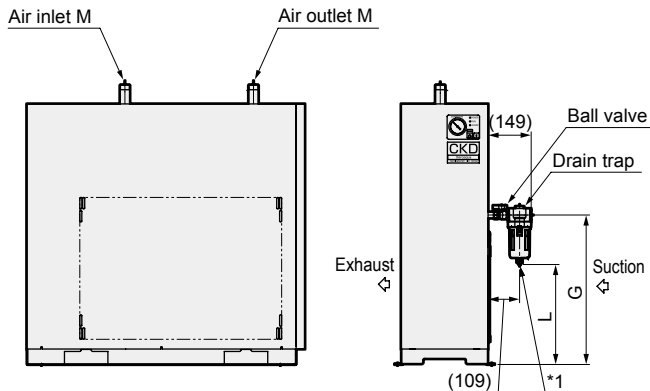
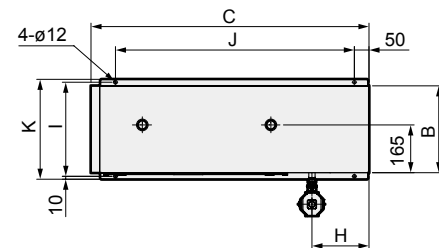
*2: The drain trap and ball valve are included products.

Model No.	A	B	C	D	E	F	G	H
GX3215D	780	190	(340)	101	(132)	650	(192)	(100)
GX3222D	870	280	(370)	105	(149)	740	(199)	(109)

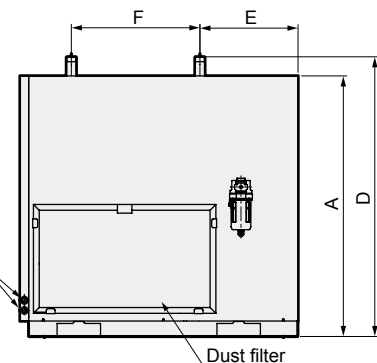
●GX3237D,GX3255D



Details of control section



Power supply hole 2-ø20 With grommet



*1: Directly insert a nylon tube with an inner diameter of ø5.7 to ø6.0 into the drain cock.

*2: The drain trap and ball valve are included products.

Model No.	A	B	C	D	E	F	G	H	I	J	K	L	M
GX3237D	900	300	960	966	338	447	(516)	197	325	825	345	(345)	R1 1/2
GX3255D	1100	330	990	1165	325	500	(701)	145	355	855	375	(530)	R2

- F.R.L.
- F.R.
- F (Filtr)
- R (Reg)
- L (Lub)
- Drain Separ
- Mech
- Press SW
- Res press exh valve
- SlowStart
- Anti-bac/Bac-remove Filtr
- Film
- Resist FR
- Oil-ProhR
- Med Press FR
- No Cu/ PTFE FRL
- Outdrs FRL
- Adapter Joiner
- Press Gauge
- CompFRL
- LgFRL
- PrecsR
- VacF/R
- Clean FR
- ElecPneuR
- AirBoost
- Speed Ctrl
- Silncr
- CheckV/ other
- Fit/Tube
- Nozzle
- Air Unit
- PrecsCompn
- Electro Press SW
- ContactSW
- AirSens
- PresSW Cool
- Air Flo Sens/Ctrl
- WaterR/Sens
- TotAirSys (Total Air)
- TotAirSys (Gamma)
- Gas generator
- RefrDry
- DesicDry
- HiPolymDry
- MainFiltr
- Dischrg etc
- Ending



Refrigeration air dryer Xeroaqua Air cooling

GX5200D Series

High-temperature inlet air

Compatible air compressors: for 2.2, 3.7, 5.5, 7.5, 11, 15, 22, 37, 55, 75 kW

JIS symbol



Specifications

1 MPa ≈ 145.0 psi, 1 MPa = 10 bar

Model No.	GX5203D	GX5204D	GX5206D	GX5208D	GX5211D	GX5215D	GX5222D	GX5237D	GX5255D	GX5275D	
Applicable air compressor kW	to 2.2	3.7	5.5	7.5	11	15	22	37	55	75	
Working range	Working fluid										
	Compressed air										
	Inlet air temperature °C										
	5 (41°F) to 80 (176°F)										
Rating	Inlet air pressure MPa		0.15 to 1.0						0.1 (≈15 psi, 1 bar) to 1.0 (≈150 psi, 10 bar)		0.29 to 0.98
	Ambient temperature °C										
	2 (35.6°F) to 45 (113°F) (*2)					2 (35.6°F) to 45 (113°F)			2 (35.6°F) to 48 (118°F)		
	Processing air rate m ³ /min (ANR) 50/60 Hz (*3)										
Perfm.	0.30/0.35										
	0.44/0.50										
	0.64/0.72										
	1.22/1.32										
1.65/1.82											
2.10/2.40											
3.70/4.20											
5.70/6.10											
8.60/9.90											
11.4/12.6											
Processing air rate (compress suction state) m ³ /min 50/60 Hz (*4)											
0.31/0.37											
0.46/0.52											
0.67/0.76											
1.28/1.38											
1.73/1.91											
2.20/2.52											
3.88/4.41											
5.98/6.40											
9.10/10.5											
12.1/13.4											
Inlet air temperature °C											
55 (131°F)											
Inlet air pressure MPa											
0.7 (≈100 psi, 7 bar)											
Ambient temperature °C											
32 (89.6°F)											
Outlet air pressure dew point °C (*5)											
10 (50°F)											
Pressure drop MPa 50/60Hz (*6)											
0.002/0.003											
0.002/0.003											
0.010/0.013											
0.005/0.006											
0.006/0.007											
0.009/0.012											
0.016/0.020											
0.011/0.013											
0.008/0.011											
0.005/0.006											
Power supply											
Single-phase 100/100, 110 VAC 50/60 Hz											
Single-phase 200, 220/200, 220 VAC 50/60 Hz											
Single phase 200, 220/200, 220 VAC 50/60 Hz											
Three-phase 200/200, 220 VAC 50/60 Hz											
Electrical specifications (*7)	Power consumption (at 100, 110 V) kW 50/60 Hz										
	0.26/0.27,0.30										
	0.32/0.34,0.41										
	0.34/0.37,0.40										
	-										
	-										
Power consumption (at 200, 220 V) kW 50/60 Hz											
0.24,0.28/0.26,0.29											
0.29,0.35/0.32,0.34											
0.32,0.36/0.36,0.40											
0.42,0.47/0.48,0.49											
0.63/0.75,0.78											
0.69/0.78,0.87											
1.21/1.48,1.48											
1.31/1.62,1.64											
2.50/3.00,3.00											
3.00/3.90											
Current consumption (at 100, 110 V) A 50/60 Hz											
3.2/2.8,2.8											
3.9/3.4,3.7											
4.3/3.8,3.8											
-											
-											
Current consumption (at 200, 220 V) A 50/60 Hz											
1.4,1.6/1.3,1.3											
1.7,2.1/1.6,1.6											
1.8,2.0/1.8,1.8											
2.6,2.9/2.5,2.3											
2.5/2.5,2.5											
3.0/2.8,3.0											
4.7/4.8,4.6											
5.4/5.7,5.5											
9.5/9.5,9.4											
10.7/11.7,11.5											
Starting current (at 100 V) A 50/60 Hz											
11.1/12.1											
16.4/17.3											
16.4/17.3											
-											
-											
Starting current (at 200 V) A 50/60 Hz											
6.3/6.2											
7.7/7.3											
7.7/7.3											
13.2/12.4											
22.5/25.0											
27.5/31.5											
31.5/40.6											
41.3/43.8											
110/100											
110/115											
Refrigerant											
R-134a											
R-410A											
Air inlet and outlet port size											
R 1/2											
R 3/4											
R 3/4											
R 3/4											
R1											
R1											
R1											
R1 1/2											
R2											
R2											
Weight kg											
21											
26											
31											
37											
39											
42											
68											
84											
139											
190											
Released heat kW 50/60Hz (*7)											
0.63/0.70											
0.74/0.80											
1.1/1.3											
1.6/1.7											
2.1/2.3											
2.3/2.5											
4.4/5.0											
5.4/6.0											
10.3/11.9											
13.2/14.9											

*1: Outer panel: Quality cool white (Munsell No. 5GY7.5/0.5)

*2: When the power supply voltage is ±5%. 2 to 40°C for power supply voltage ±10%.

*3: ANR shows conditions of 20°C atmospheric pressure and relative humidity 65%.

*4: Value converted into air compressor intake state at 32°C atmospheric pressure and relative humidity 75%.

*5: Contact CKD for information on the dew point performance guarantee.

*6: The pressure drop value is a typical value and is not a guaranteed value.

*7: The power consumption, current consumption, and exhaust heat are all reference values under the rated conditions and are not guaranteed values.

F.R.L.
F.R.
F (Filtr)
R (Reg)
L (Lub)

Drain Separ
Mech
Press SW
Res press
exh valve

SlowStart
Anti-bac/Bac-
remove Filt
Film
Resist FR

Oil-ProhR
Med
Press FR
No Cu/
PTFE FRL

Outdrs FRL
Adapter
Joiner
Press
Gauge

CompFRL

LgFRL

PrecsR

VacF/R

Clean FR

ElecPneUR

AirBoost

Speed Ctrl

Silncr

CheckV/
other

Fit/Tube

Nozzle

Air Unit

PrecsCompn

Electro
Press SW

ContactSW

AirSens

PresSW
Cool

Air Flo
Sens/Ctrl

WaterRISens

TotAirSys
(Total Air)

TotAirSys
(Gamma)

Gas
generator

RefrDry

DesicDry

HiPolymDry

MainFiltr

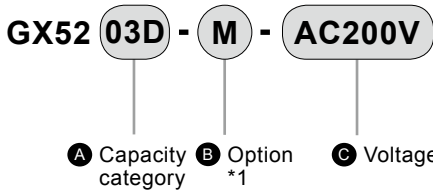
Dischrg
etc

Ending

GX5200D Series

How to order Selection guide

How to order



⚠️ Precautions for model No. selection

- *1: Indicate options in alphabetical order.
- *2: The equipment of remote control and operation/error signals are as listed in the table below.

Model No.	Terminal for remote control	Operation/error signal
GX5203D, 5204D 5206D, 5208D	Option M3 (Momentary)	Option M3
GX5211D, 5215D 5222D, 5237D	Standard equipment (Alternate)	Option M
GX5255D		Standard equipment
GX5275D		

- *3: Option H3 is packaged in plywood.
- *4: The instruction manual and nameplates are provided in Japanese and English.
- *5: Contact CKD if a photo of the completed product is required.
- *6: Contact CKD to designate the color of the body panel.

Code	Description
A Capacity category	
03D	Up to 2.2 kW
04D	3.7 kW
06D	5.5 kW
08D	7.5 kW
11D	11 kW
15D	15 kW
22D	22 kW
37D	37 kW
55D	55 kW
75D	75 kW

B Option	
Blank	Standard products
G	Optional different voltage (GX5255D, GX5275D only)
H2	Stainless steel nameplate
H3	Simple export packaging *3
M	Operation/fault signal output (only compatible with GX5211D, 5215D, 5222D, 5237D) *2
M3	Remote control & operation/error signal output (only compatible with GX5203D, 5204D, 5206D, 5208D) *2
N1	Copper tube rust proof coating
Q1	Drain piping right (GX5255D/GX5275D only)

C Voltage	
100 VAC	(GX5203D, GX5204D, GX5206D only)
200 VAC	
220 VAC	(standard only for 60 Hz) (GX5255D, GX5275D only)
230 VAC	(GX5255D, GX5275D only)
240 VAC	(GX5255D, GX5275D only)
380 VAC	(GX5255D, GX5275D only)
400 VAC	(GX5255D, GX5275D only)
415 VAC	(GX5255D, GX5275D only)
440 VAC	(GX5255D, GX5275D only)
480 VAC	(GX5255D, GX5275D only)

Selection guide (GX5203D to GX5237D)

When determining the appropriate model from the max. processing air rate of each model No.

Reference processing air rate × (1) Pressure dew point coefficient × (2) Inlet air temperature coefficient × (3) Ambient temperature coefficient × (4) Inlet air pressure coefficient = Max. processing air rate

Note: Select with conditions where the value of the product of each coefficient ((1)×(2)×(3)×(4)) does not exceed the ceiling coefficient of (5).

Conditions	Working conditions	Selecting conditions	Coefficient
Pressure dew point	Below 7°C	5°C	(1) 0.58
Inlet air temperature	55 to 63°C	65°C	(2) 0.72
Ambient temperature	25 to 33°C	35°C	(3) 0.90
Inlet air pressure	0.55 to 0.75 MPa	0.5 MPa	(4) 0.89
Frequency	50 Hz	50 Hz	50 Hz

Substitute the conditions on the left into the equation above to obtain the processing air rate when using the GX5208.

Product of each coefficient

$$(1) \times (2) \times (3) \times (4) = 0.58 \times 0.72 \times 0.90 \times 0.89 = 0.33$$

The (5) ceiling coefficient of 1.15 at the inlet air pressure 0.5 MPa (use conditions) is exceeded.

The maximum processing air rate is

$$1.22 \text{ (reference processing air rate)} \times 0.33 = 0.40 \text{ m}^3/\text{min (ANR)}$$

If the used flow rate is less than or equal to this value, select that model.

① Pressure dew point coefficient	
Pressure dew point	Coefficient
	GX5203D GX5204D GX5206D GX5208D GX5211D GX5215D GX5222D GX5237D
15°C	1.15
10°C	1.00
7°C	0.72
5°C	0.58

② Inlet air temperature coefficient			
Inlet air temperature	Coefficient		
	GX5203D	GX5204D	GX5206D
40°C	1.12	1.30	1.30
45°C	1.08	1.20	1.20
50°C	1.04	1.10	1.10
55°C	1.00	1.00	1.00
60°C	0.84	0.84	0.84
65°C	0.72	0.72	0.72
70°C	0.60	0.60	0.60
75°C	0.45	0.45	0.45
80°C	0.30	0.30	0.30

③ Ambient temperature coefficient	
Ambient temperature	Coefficient
25°C	1.08
30°C	1.02
32°C	1.00
35°C	0.90
40°C	0.72
45°C	0.47

④ Inlet air pressure coefficient	
Inlet pressure	Coefficient
0.1 MPa *1	0.50
0.2 MPa	0.65
0.3 MPa	0.75
0.4 MPa	0.83
0.5 MPa	0.89
0.6 MPa	0.94
0.7 MPa	1.00
0.8 MPa	1.01
0.9 MPa	1.02
1.0 MPa	1.03

⑤ Ceiling coefficient	
Working conditions (Inlet air pressure)	Coefficient
0.1 MPa *1	0.65
0.2 MPa	0.84
0.3 MPa	0.97
0.4 MPa	1.07
0.5 MPa	1.15
0.6 MPa	1.22
0.7 MPa	1.30
0.8 MPa	1.31
0.9 MPa	1.32
1.0 MPa	1.33

*1: GX5203D is 0.15 MPa.

- F.R.L.
- F.R.
- F (Filtr)
- R (Reg)
- L (Lub)
- Drain Separ
- Mech
- Press SW
- Res press
- exh valve
- SlowStart
- Anti-bao/Bac-
- remove Filtr
- Film
- Resist FR
- Oil-ProhR
- Med
- Press FR
- No Cu/
- PTFE FRL
- Outdrs FRL
- Adapter
- Joiner
- Press
- Gauge
- CompFRL
- LgFRL
- PrecsR
- VacF/R
- Clean FR
- ElecPneuR
- AirBoost
- Speed Ctrl
- Silncr
- CheckV/
- other
- Fit/Tube
- Nozzle
- Air Unit
- PrecsCompn
- Electro
- Press SW
- ContactSW
- AirSens
- PresSW
- Cool
- Air Flo
- Sens/Ctrl
- WaterR/Sens
- TotAirSys
- (Total Air)
- TotAirSys
- (Gamma)
- Gas
- generator
- RefrDry
- DesicDry
- HiPolymDry
- MainFiltr
- Dischrg
- etc
- Ending

GX5200D Series

F.R.L. Selection guide (GX5255D/GX5275D)

F.R. (1) Temperature compensation coefficient

F (Filtr)	Inlet air temperature (°C)	45				55				60								
R (Reg)	Pressure dew point (°C)	5	7	10	15	5	7	10	15	5	7	10	15					
L (Lub)	Ambient temperature (°C)	25	0.93	1.04	1.15	1.15	0.89	1.01	1.15	1.15	0.85	0.91	1.01	1.09				
Drain Separ		30	0.76	0.94	1.15	1.15	0.73	0.86	1.06	1.15	0.71	0.78	0.89	1.06				
Mech Press SW		32	0.75	0.93	1.15	1.15	0.68	0.81	1.00	1.15	0.65	0.73	0.84	1.05				
Res press exh valve		35	0.66	0.83	1.08	1.15	0.60	0.72	0.90	1.09	0.58	0.65	0.76	0.97				
SlowStart		40	0.51	0.65	0.86	1.00	0.51	0.59	0.72	0.89	0.47	0.52	0.60	0.75				
Anti-bac/Bac-remove Filtr		45	0.28	0.47	0.76	0.90	0.27	0.41	0.63	0.75	0.20	0.33	0.53	0.70				
Film Resist FR		48	0.23	0.40	0.65	0.72	0.21	0.34	0.54	0.68	0.15	0.27	0.45	0.63				
Oil-ProHR	Inlet air temperature (°C)	65				70				75				80				
Med Press FR	Pressure dew point (°C)	5	7	10	15	5	7	10	15	5	7	10	15	5	7	10	15	
No Cu/ PTFE FRL	Ambient temperature (°C)	25	0.80	0.82	0.86	0.89	0.77	0.80	0.84	0.90	0.74	0.75	0.76	0.83	0.70	0.69	0.67	0.76
Outdrs FRL		30	0.68	0.71	0.76	0.87	0.64	0.65	0.67	0.87	0.60	0.58	0.56	0.80	0.53	0.50	0.45	0.72
Adapter Joiner		32	0.62	0.66	0.72	0.86	0.59	0.60	0.61	0.84	0.55	0.53	0.49	0.76	0.47	0.43	0.37	0.68
Press Gauge		35	0.55	0.59	0.65	0.80	0.52	0.53	0.55	0.75	0.49	0.47	0.44	0.65	0.36	0.35	0.33	0.55
CompFRL		40	0.43	0.47	0.52	0.61	0.41	0.42	0.44	0.55	0.39	0.37	0.35	0.46	0.33	0.31	0.27	0.36
LgFRL		45	0.14	0.26	0.45	0.58	0.13	0.23	0.38	0.52	0.09	0.17	0.30	0.44	0.06	0.13	0.23	0.34
PrecsR		48	0.08	0.20	0.39	0.52	0.06	0.17	0.33	0.51	0.03	0.12	0.26	0.43	0.01	0.09	0.20	0.33

(2) Inlet air pressure coefficient

GX5255D

Inlet air pressure (MPa)	0.10	0.20	0.30	0.40	0.50	0.60	0.70	0.80	0.90	1.00
Coefficient	0.60	0.67	0.73	0.80	0.87	0.93	1.00	1.07	1.13	1.20

GX5275D

Inlet air pressure (MPa)	0.29	0.30	0.40	0.50	0.60	0.70	0.80	0.90	0.98
Coefficient	0.72	0.73	0.80	0.87	0.93	1.00	1.07	1.13	1.20

(3) Ceiling coefficient

Working conditions (inlet air pressure (MPa))	0.10	0.20	0.29	0.30	0.40	0.50	0.60	0.70	0.80	0.90	0.98	1.00
Coefficient	0.69	0.77	0.82	0.83	0.92	1.00	1.06	1.15	1.23	1.29	1.38	1.38

When determining the appropriate model from the reference processing air rate of each model No.

Reference processing air rate × (1) Temperature correction coefficient × (2) Inlet air pressure coefficient = Maximum processing air rate

*1: Select with conditions where the value of the product of each coefficient ((1)×(2)) does not exceed the upper limit coefficient of (3).

Conditions	Working conditions	Selecting conditions	Coefficient
Inlet air temperature	55 to 63°C	65°C	(1) 0.55
Pressure dew point	Below 7°C	5°C	
Ambient temperature	25 to 33°C	35°C	
Inlet air pressure	0.55 to 0.75 MPa	0.5 MPa	(2) 0.87
Frequency	50 Hz	50 Hz	50 Hz

Substitute the above conditions into the equation above to obtain the processing air rate when using GX5255D.

Product of each coefficient

(1) × (2) = 0.55 × 0.87 = 0.47

As the (3) ceiling coefficient of 1.00, when the inlet air pressure of the working conditions is 0.5 MPa, is not exceeded, the max. processing air rate will be 8.6 (reference processing air rate) × 0.47 = 4.0 m³/min (ANR).

If the used air quantity is less than or equal to this value, select that model.

RefrDry

DesicDry

HiPolymDry

MainFiltr

Dischrg etc

Ending

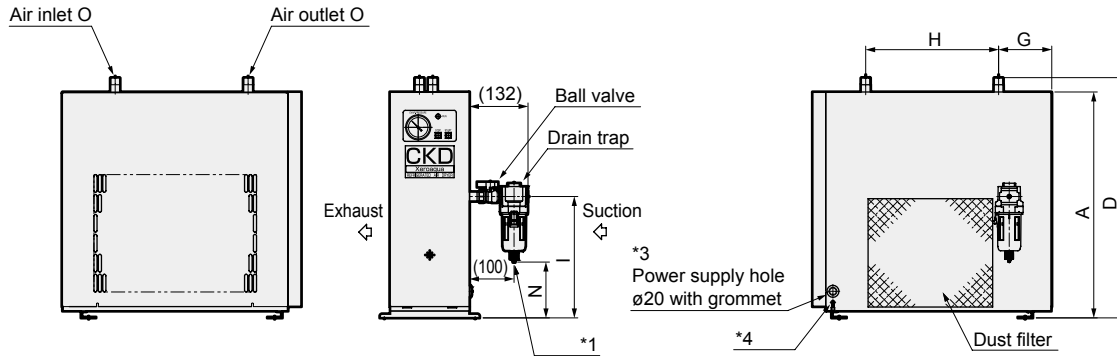
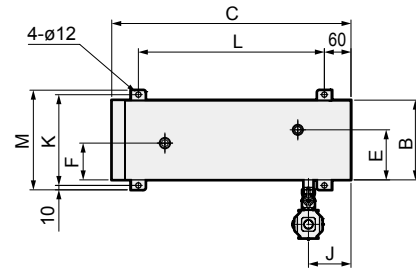
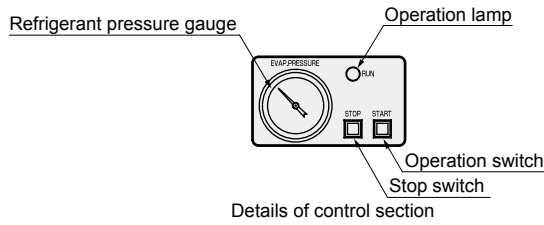
GX5200D Series

Dimensions

Dimensions



●GX5203D, GX5204D, GX5206D

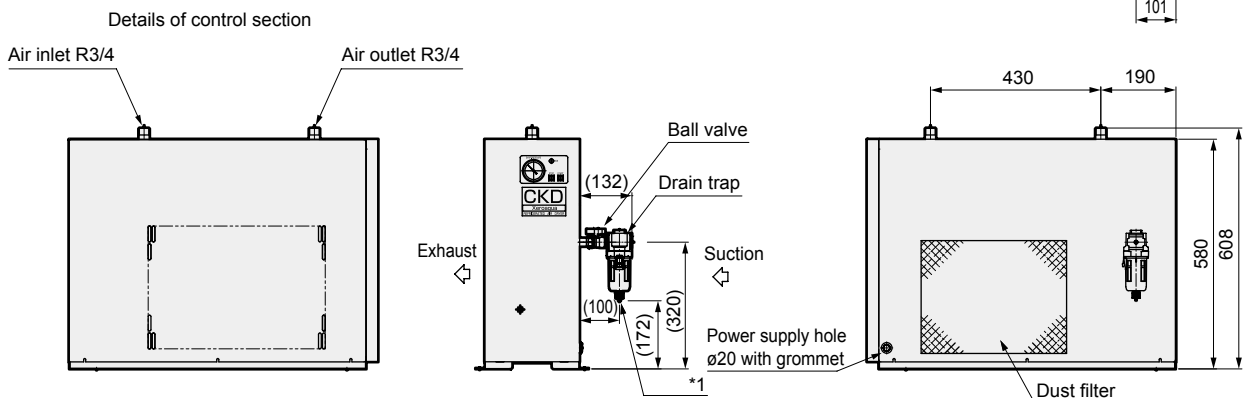
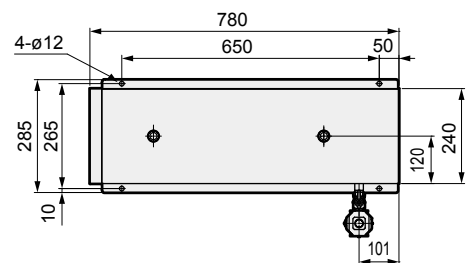
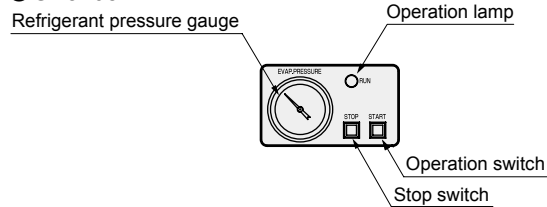


- *1: Directly insert a nylon tube with an inner diameter of $\phi 5.7$ to $\phi 6.0$ into the drain cock.
- *2: The drain trap and ball valve are included products.
- *3: A power supply cable (approx. 1.8 m) equipped with a plug is included with the 100 VAC.
- *4: A grounding terminal (TMEV2-4) is attached to the panel with the 100 VAC.

Model No.	A	B	C	D	E	F	G	H	I	J	K	L	M
GX5203D	510	180	540	542	113	83	120	300	(274)	96	205	420	225
GX5204D	510	240	600	537	140	140	138	335	(280)	78	265	480	285
GX5206D	600	240	660	627	140	140	84	416	(370)	105	265	542	285

Model No.	N	O
GX5203D	(126)	R 1/2
GX5204D	(132)	R 3/4
GX5206D	(222)	R 3/4

●GX5208D



- *1: Directly insert a nylon tube with an inner diameter of $\phi 5.7$ to $\phi 6.0$ into the drain cock.
- *2: The drain trap and ball valve are included products.

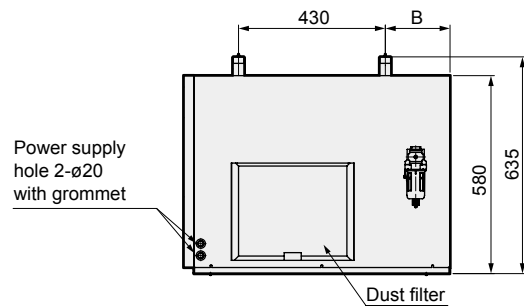
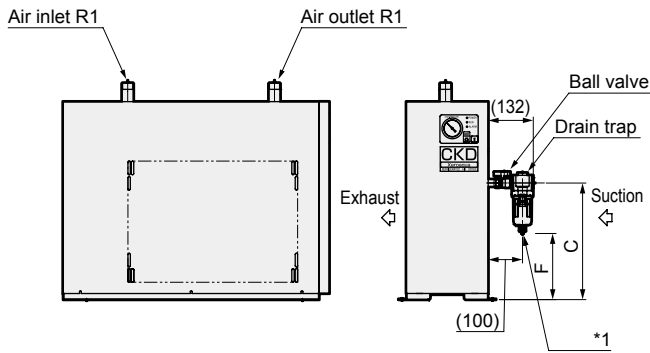
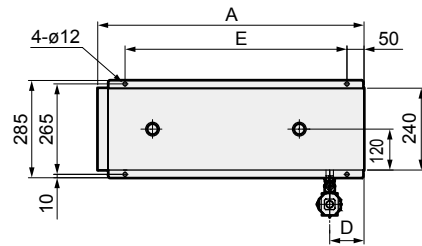
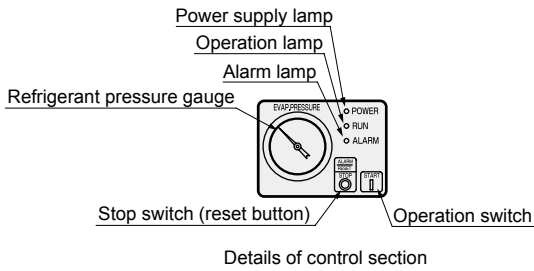
- F.R.L.
- F.R.
- F (Filtr)
- R (Reg)
- L (Lub)
- Drain Separ
- Mech Press SW
- Res press exh valve
- SlowStart
- Anti-bac/Bac-remove Filtr
- Film Resist FR
- Oil-ProhR
- Med Press FR
- No Cu/ PTFE FRL
- Outdrs FRL
- Adapter Joiner
- Press Gauge
- CompFRL
- LgFRL
- PrecsR
- VacF/R
- Clean FR
- ElecPneuR
- AirBoost
- Speed Ctrl
- Silncr
- CheckV/ other
- Fit/Tube
- Nozzle
- Air Unit
- PrecsCompn
- Electro Press SW
- ContactSW
- AirSens
- PresSW Cool
- Air Flo Sens/Ctrl
- WaterRISens
- TotAirSys (Total Air)
- TotAirSys (Gamma)
- Gas generator
- RefrDry
- DesicDry
- HiPolymDry
- MainFiltr
- Dischrg etc
- Ending

GX5200D Series



Dimensions

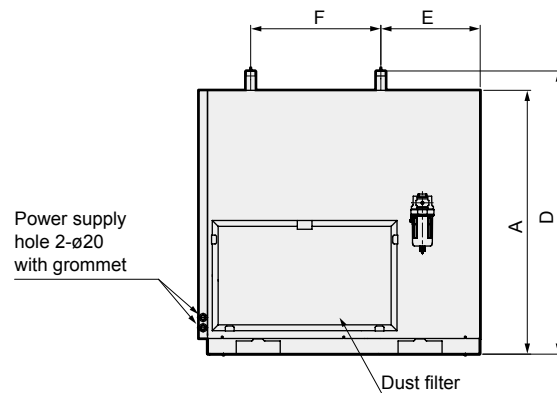
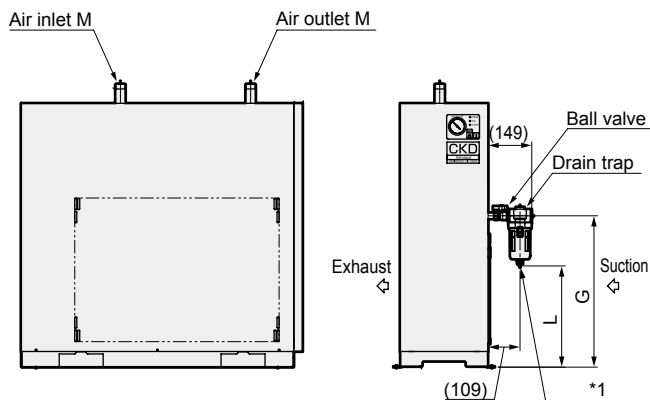
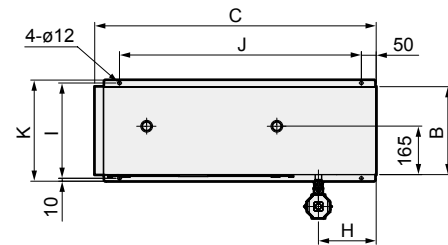
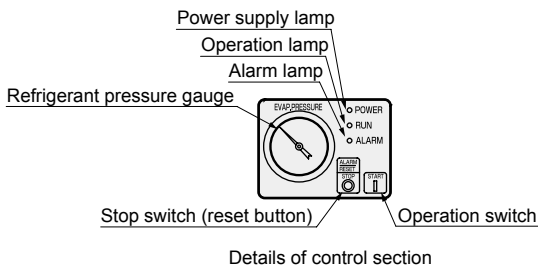
●GX5211D,GX5215D



*1: Directly insert a nylon tube with an inner diameter of ø5.7 to ø6.0 into the drain cock.
*2: The drain trap and ball valve are included products.

Model No.	A	B	C	D	E	F
GX5211D	780	190	(340)	101	650	(192)
GX5215D	870	280	(370)	105	740	(222)

●GX5222D,GX5237D



*1: Directly insert a nylon tube with an inner diameter of ø5.7 to ø6.0 into the drain cock.
*2: The drain trap and ball valve are included products.

Model No.	A	B	C	D	E	F	G	H	I	J	K	L	M
GX5222D	900	300	960	966	341	444	(516)	197	325	825	345	(345)	R1
GX5237D	1100	330	990	1165	325	500	(701)	145	355	855	375	(530)	R1 1/2

- F.R.L.
- F.R.
- F (Filtr)
- R (Reg)
- L (Lub)
- Drain Separ
- Mech
- Press SW
- Res press exh valve
- SlowStart
- Anti-bac/Bac-remove Filt
- Film
- Resist FR
- Oil-ProhR
- Med Press FR
- No Cu/ PTFE FRL
- Outdrs FRL
- Adapter Joiner
- Press Gauge
- CompFRL
- LgFRL
- PrecsR
- VacF/R
- Clean FR
- ElecPneuR
- AirBoost
- Speed Ctrl
- Silncr
- CheckV/ other
- Fit/Tube
- Nozzle
- Air Unit
- PrecsCompn
- Electro Press SW
- ContactSW
- AirSens
- PresSW Cool
- Air Flo Sens/Ctrl
- WaterRiSens
- TotAirSys (Total Air)
- TotAirSys (Gamma)
- Gas generator
- RefrDry
- DesicDry
- HiPolymDry
- MainFiltr
- Dischrg etc
- Ending

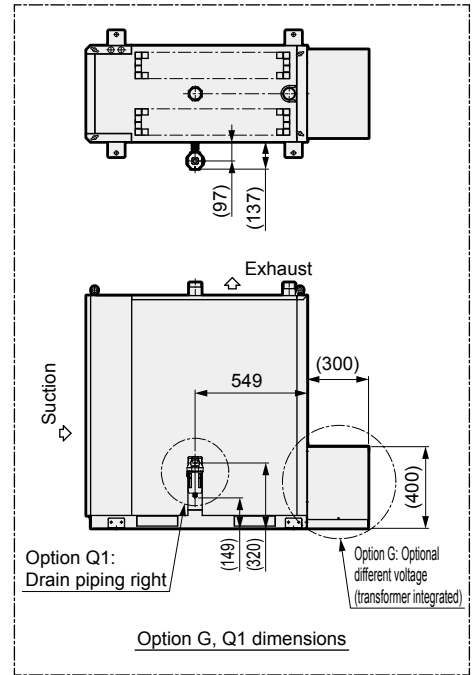
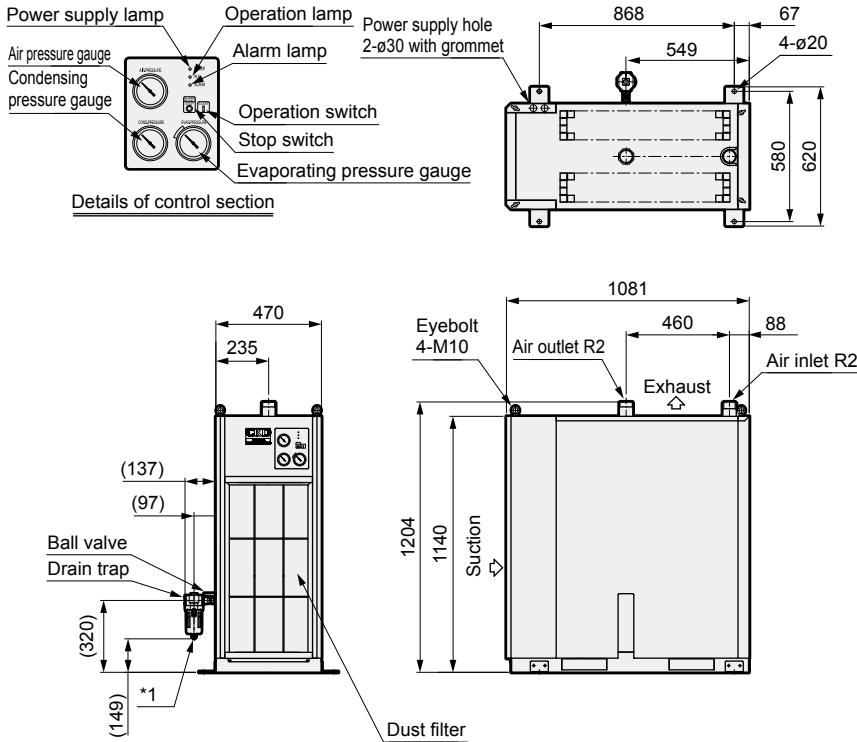
GX5200D Series

Dimensions

Dimensions

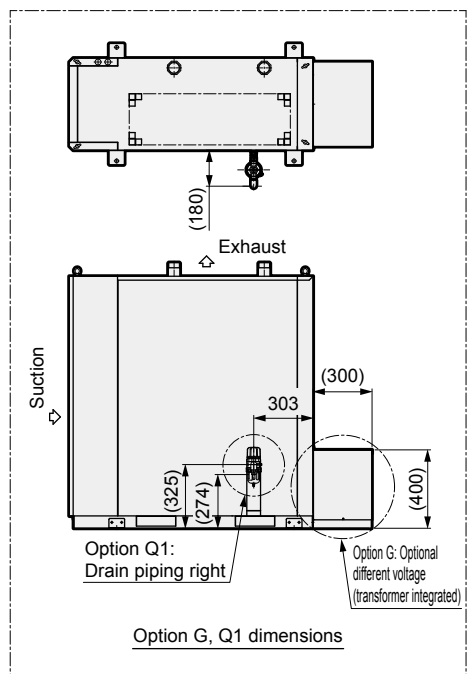
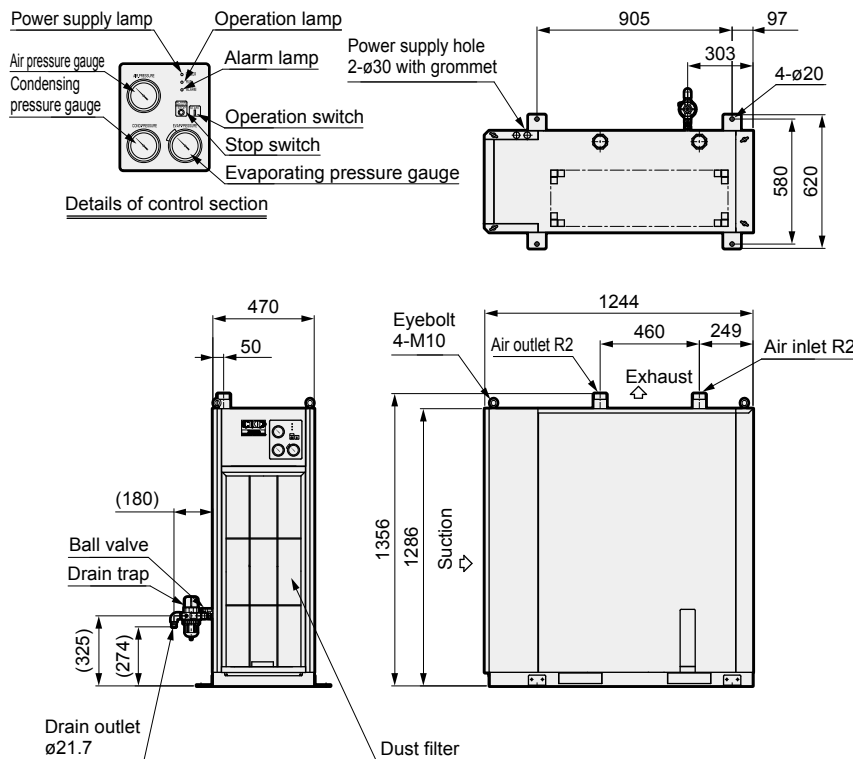


● GX5255D



*1: Directly insert a nylon tube with an inner diameter of ϕ 5.7 to ϕ 6.0 into the drain cock.
 *2: The drain trap and ball valve are included.

● GX5275D



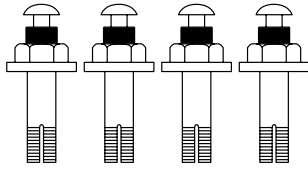
*1: The drain trap and ball valve are included.

F.R.L.
F.R.
F (Filtr)
R (Reg)
L (Lub)
Drain Separ
Mech
Press SW
Res press exh valve
SlowStart
Anti-bao/Bac-remove Filtr
Film Resist FR
Oil-ProhR
Med Press FR
No Cu/ PTFE FRL
Outdrs FRL
Adapter Joiner
Press Gauge
CompFRL
LgFRL
PrecsR
VacF/R
Clean FR
ElecPneuR
AirBoost
Speed Ctrl
Silncr
CheckV/ other
Fit/Tube
Nozzle
Air Unit
PrecsCompn
Electro Press SW
ContactSW
AirSens
PresSW Cool
Air Flo Sens/Ctrl
WaterRISens
TotAirSys (Total Air)
TotAirSys (Gamma)
Gas generator
RefrDry
DesicDry
HiPolymDry
MainFiltr
Dischrg etc
Ending

GX3200D/GX5200D Series

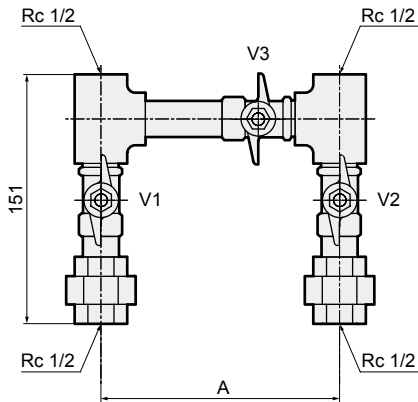
F.R.L. **Accessory (sold separately)**

F.R. **Foundation bolt set (sold separately)**



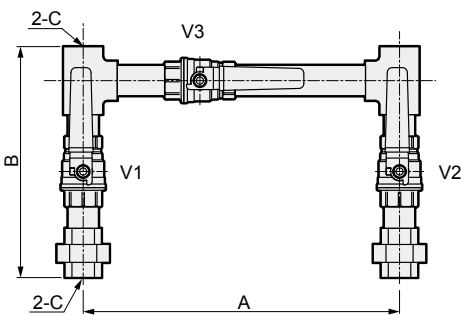
Part number	Compatible model	Size	Material	Quantity
RD-QFL-436495	GX3203D,GX3206D	M10×100	SUS	4
	GX3208D,GX3211D			
	GX3215D,GX3222D			
	GX3237D,GX3255D			
	GX5203D,GX5204D			
	GX5206D,GX5208D			
	GX5211D,GX5215D			
RD-QFL-436465	GX5222D,GX5237D	M16×100	SUS	4
	GX5255D, GX5275D			

Bypass piping set (sold separately)



No.	Compatible model	A
RD-AD3-311269	GX3203D	145
RD-AD3-311270	GX3206D,GX5203D	300

V1, V2, V3 ----- Ball valve
 V1, V2 : Normally open (NO)
 V3 : Normally closed (NC)



No.	Compatible model	A	B	C
RD-AD3-311271	GX3208D,GX5204D	335	208	Rc3/4
RD-AD3-311272	GX3211D	330	209	Rc3/4
RD-AD3-219888	GX3215D,GX3222D GX5211D,GX5215D	430	258	Rc1
RD-AD3-219889	GX3237D	447	314	Rc1 1/2
RD-AD3-249894	GX3255D	500	343	Rc2
RD-AD3-311273	GX5206D	416	208	Rc3/4
RD-AD3-311274	GX5208D	430	209	Rc3/4
RD-AD3-219890	GX5222D	444	258	Rc1
RD-AD3-219891	GX5237D	500	314	Rc1 1/2
RD-AD3-249896	GX5255D, GX5275D	460	343	Rc2

V1, V2, V3 ----- Ball valve
 V1, V2 : Normally open (NO)
 V3 : Normally closed (NC)

RefrDry

DesicDry

HiPolymDry

MainFiltr

Dischrg

etc

Ending